



# ZEISS Interlock 2/50



## Features

- Fast f/2.0 aperture
- Precise manual focusing
- Robust full-metal construction
- Continuous aperture setting or click stop
- For industrial cameras up to sensor sizes of 24x36 mm or 41mm line sensors
- High optical performance both at infinity and at 1:2 scale
- Features special screws to fix focus and aperture settings even in rough situations

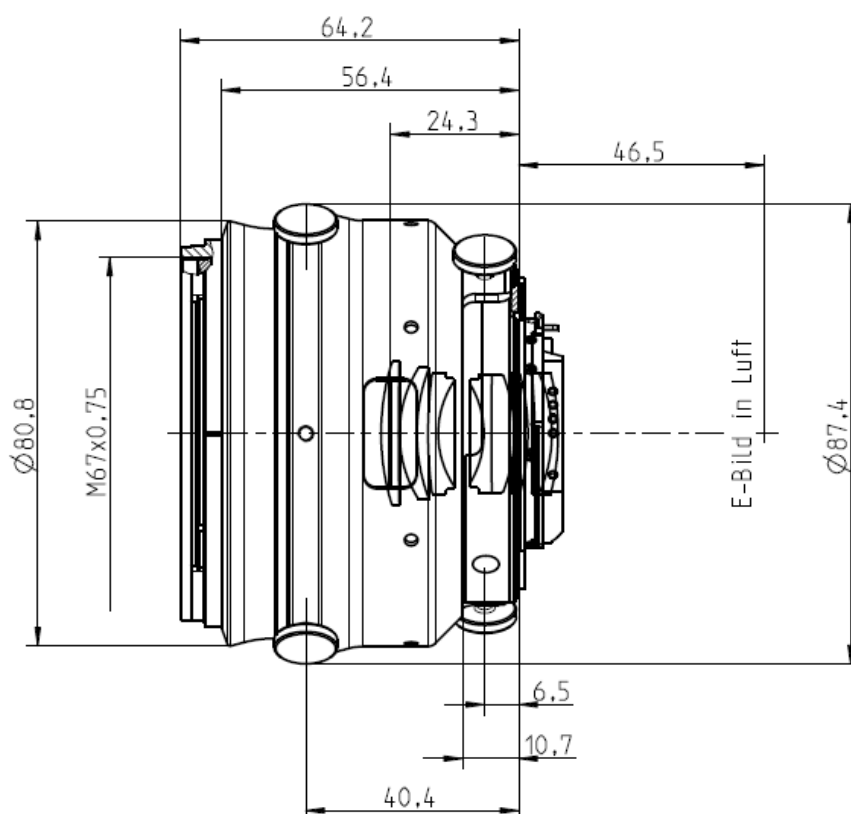
### Camera Mounts

Available with F mount or M42 screw mount



# ZEISS Interlock 2/50

## Technical Specifications



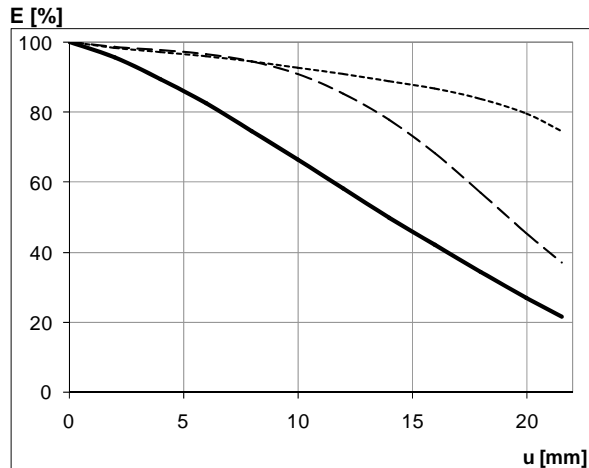
<b>Focal length</b>	50 mm
<b>Aperture range</b>	f/2 – f/22 (1/2 stop intervals or continuous)
<b>Number of elements / groups</b>	8 / 6
<b>Min. working distance (object to sensor)</b>	240 mm (0.78 ft.) – ∞
<b>Min. free working distance</b>	100 mm (0.33 ft.) – ∞
<b>Angular field* (diag. / horiz. / vert.)</b>	45 / 38 / 26°
<b>Max. diameter of image field</b>	43 mm (1.7")
<b>Flange focal length</b>	F-Mount: 46,5 mm (1.8"); M42-Mount: 45,5 mm
<b>Coverage at close range</b>	48 x 72 mm (1.9 x 2.8"), line 86 mm (3.3")
<b>Image ratio at close range</b>	1:2
<b>Filter-thread</b>	M 67 x 0.75
<b>Weight</b>	720 g (1.6 lbs.)
<b>Camera mount</b>	F bayonet, M42

\* referring to 35 mm format



# ZEISS Interlock 2/50

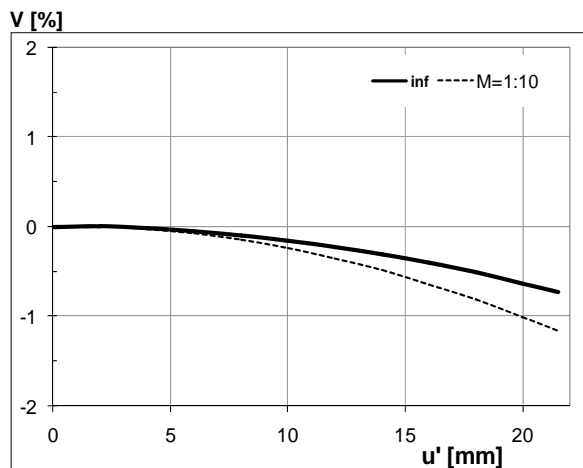
## Relative Illuminance\*



The relative illuminance shows the decrease in image brightness from the image center to the edge in percent.

— f-number 2  
--- f-number 2.8  
... f-number 5.6

## Relative Distortion\*



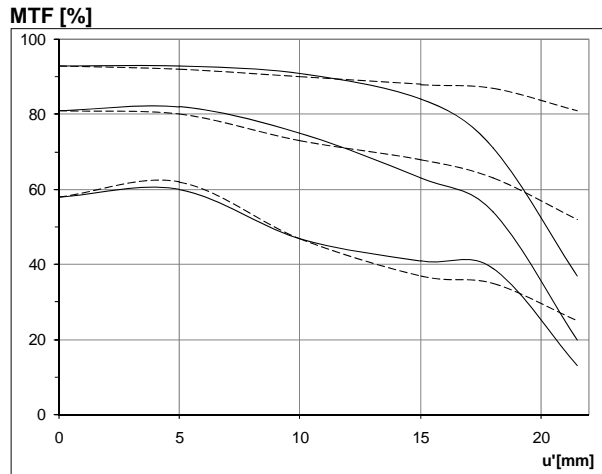
The relative distortion shows the deviation of the actual image height from the ideal one in percent.

\*Data for infinite focus setting



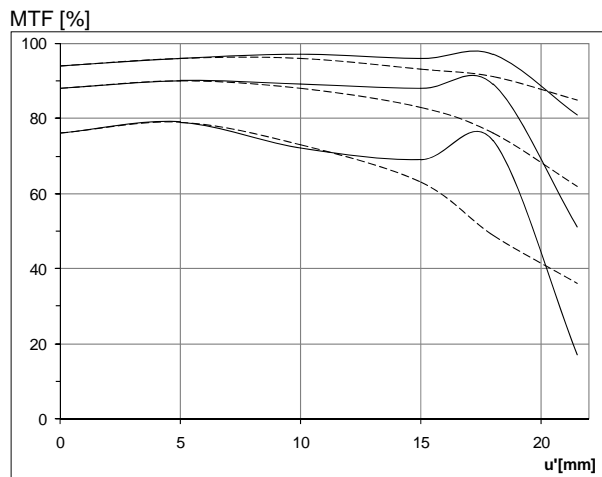
# ZEISS Interlock 2/50

## MTF Charts\*



The Modulation Transfer (MTF) as a function of image height ( $u$ ) and slit orientation (sagittal, tangential) has been measured with white light at spatial frequencies of  $R = 10, 20$  and  $40$  cycles/mm.

f-number 2  
— Saggital  
... Tangential



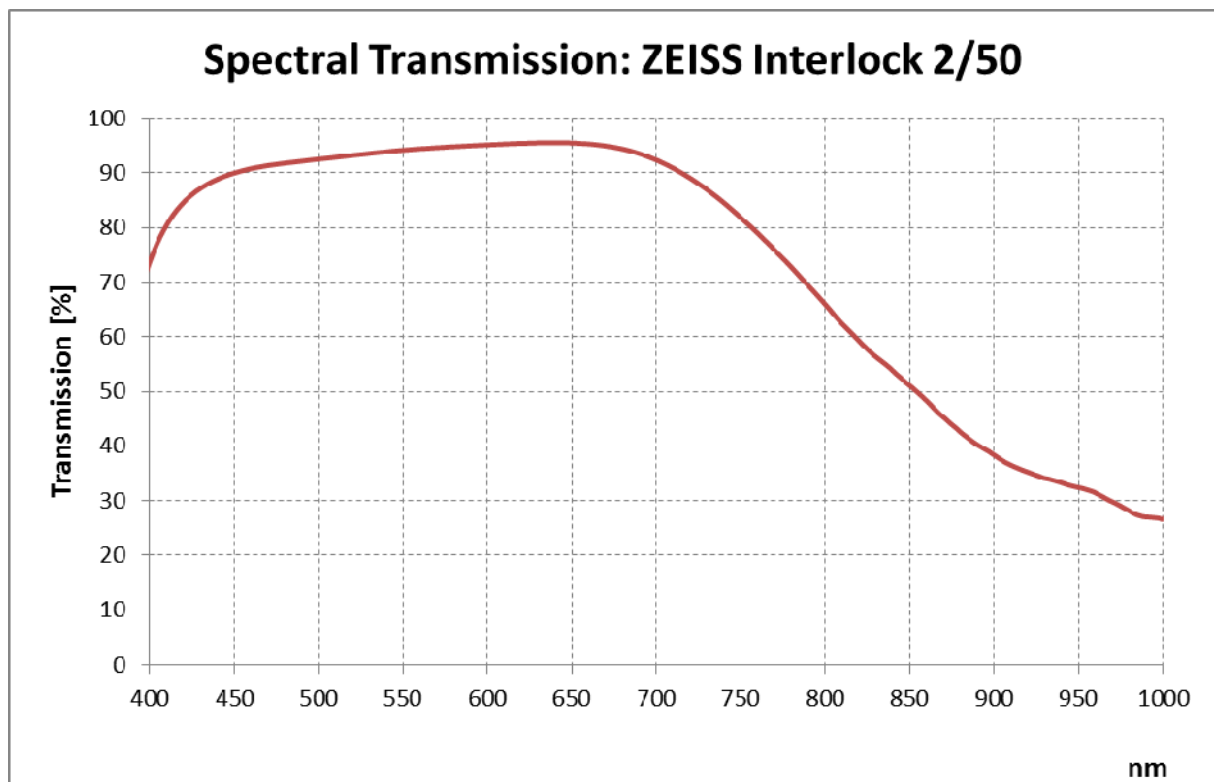
f-number 5.6  
— Saggital  
... Tangential

\*Data for infinite focus setting



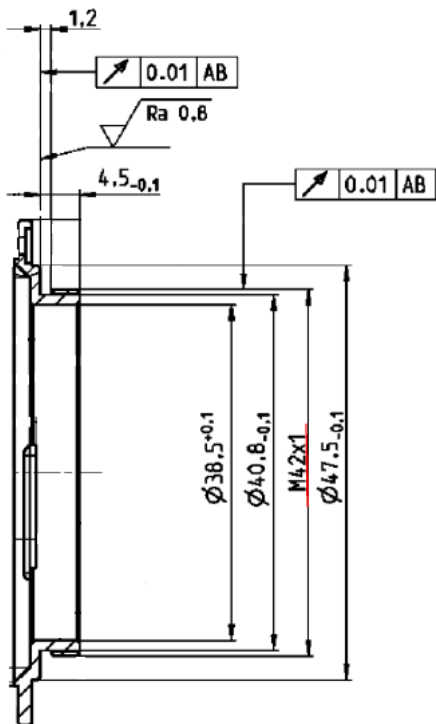
# ZEISS Interlock 2/50

## Spectral Transmission





# ZEISS Interlock 2/50



M42 Mount for 45,5 mm Flange Focal Distance

The diameter of the camera/lens adapter must not exceed 55 mm at the lens side!