



# Distagon T\* 1,4/35



## Features

- Fast f/1.4 aperture
- Precise manual focusing
- Robust full-metal construction
- Identical color reproduction of all models
- For industrial cameras with F-Mount up to sensor sizes of 24x36 mm or 43mm line sensors.

## ZF-I: Industrial Edition

Features special screws to fix focus and aperture settings even in rough situations.

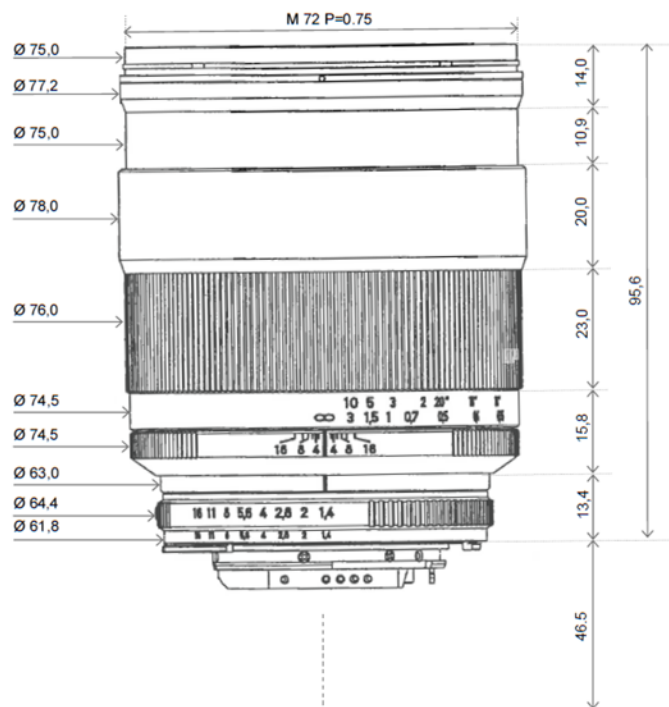
## Camera Mounts

Available for other camera mounts such as EF, or M42 screw mount.



# Distagon T\* 1,4/35

## Technical Specifications



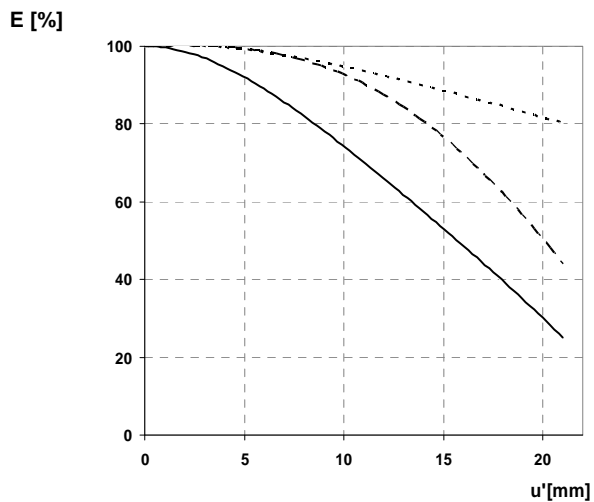
<b>Focal length</b>	35 mm
<b>Aperture range</b>	f/1.4 – f/16 (1/ 2 stop intervals)
<b>Number of elements / groups</b>	11 / 9
<b>Min. working distance (object to sensor)</b>	300 mm (1 ft.) – ∞
<b>Min. free working distance</b>	150 mm (0.5 ft.) – ∞
<b>Angular field* (diag. / horiz. / vert.)</b>	63 / 54 / 37°
<b>Max. diameter of image field</b>	43 mm (1.7")
<b>Flange focal length</b>	F-Mount: 46.5 mm (1.8"); M42-Mount: 45.5 mm
<b>Coverage at close range</b>	120 x 180 mm (4.7 x 7.0"), line 215 mm (8.4")
<b>Image ratio at close range</b>	1:5
<b>Filter-thread</b>	M 72 x 0.75
<b>Weight</b>	830 g (1.83 lbs.)
<b>Camera mount</b>	F bayonet, M42, EF

\* referring to 35 mm format



# Distagon T\* 1,4/35

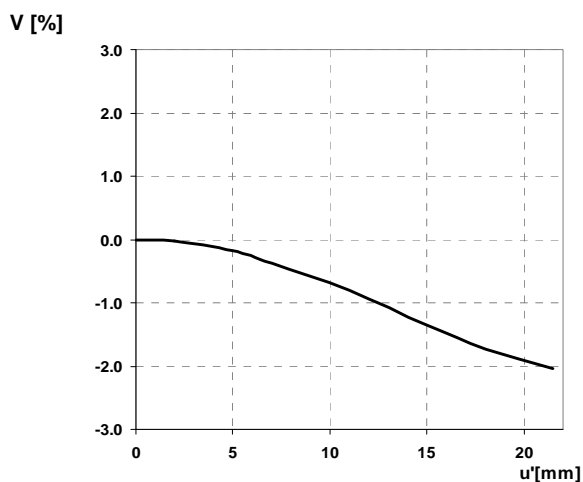
## Relative Illuminance\*



The relative illumination shows the decrease in image brightness from the image center to the edge in percent.

— f-number = 1.4  
... f-number = 2.0  
--- f-number = 4.0

## Relative Distortion\*



The relative distortion shows the deviation of the actual image height from the ideal one in percent.

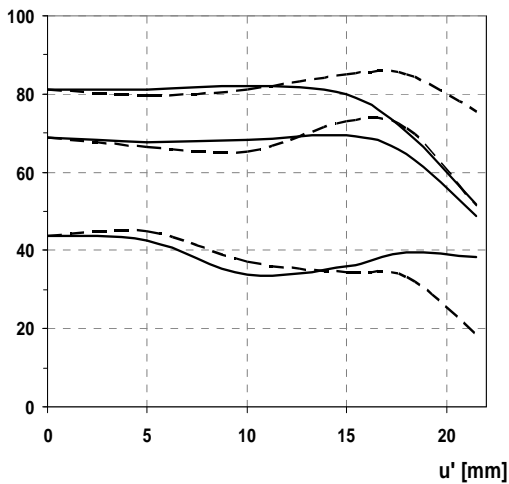
\*Data for infinite focus setting



# Distagon T\* 1,4/35

## MTF Charts\*

MTF [%]

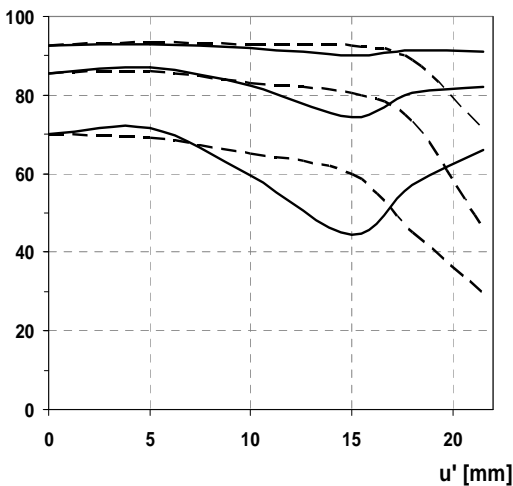


The Modulation Transfer (MTF) as a function of image height ( $u$ ) and slit orientation (sagittal, tangential) has been measured with white light at spatial frequencies of  $R = 10, 20$  and  $40$  cycles/mm.

f-number = 1.4

— Sagittal  
... Tangential

MTF [%]



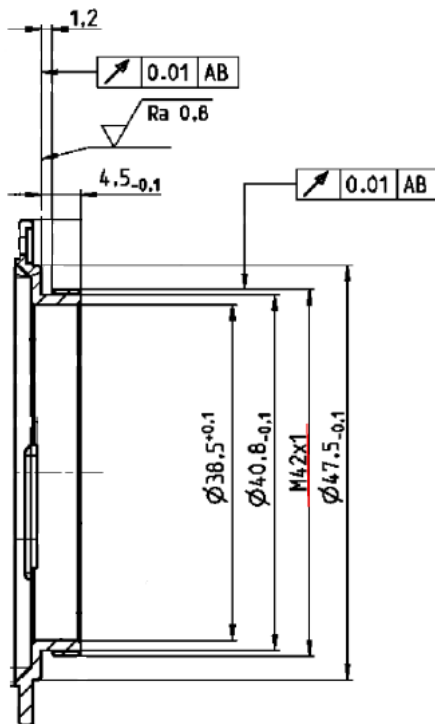
f-number = 4

— Sagittal  
... Tangential

\*Data for infinite focus setting



# Distagon T\* 1,4/35



M42 Mount for 45,5 mm Flange Focal Distance

*The diameter of the camera/lens adapter must not exceed 55 mm at the lens side!*

Authorized Distributor:



Your single source for Imaging Solutions

Ph. 510.657.4000

info@uniforcesales.com

www.uniforcesales.com