



Distagon T* 2/28



Features

- Fast f/2.0 aperture
- Precise manual focusing
- Robust full-metal construction
- Identical color reproduction of all models
- For industrial cameras with F-Mount up to sensor sizes of 24x36 mm or 43mm line sensors.

ZF-I: Industrial Edition

Features special screws to fix focus and aperture settings even in rough situations.

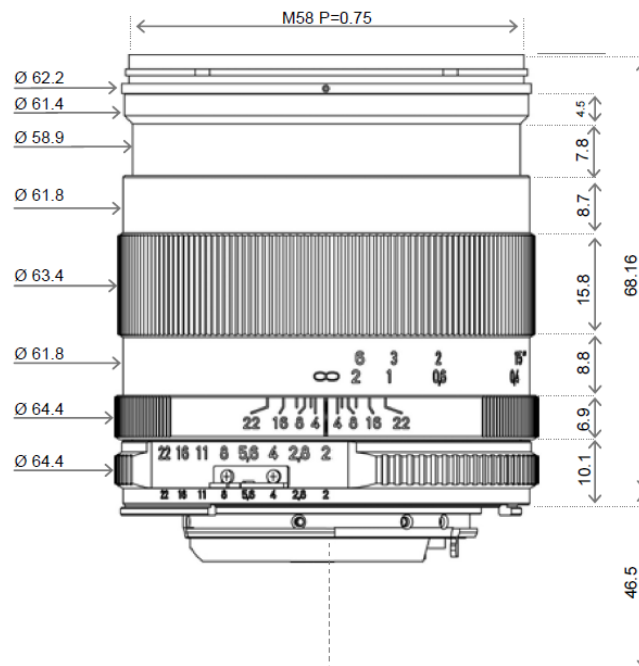
Camera Mounts

Available for other camera mounts such as EF, or M42 screw mount.



Distagon T* 2/28

Technical Specifications



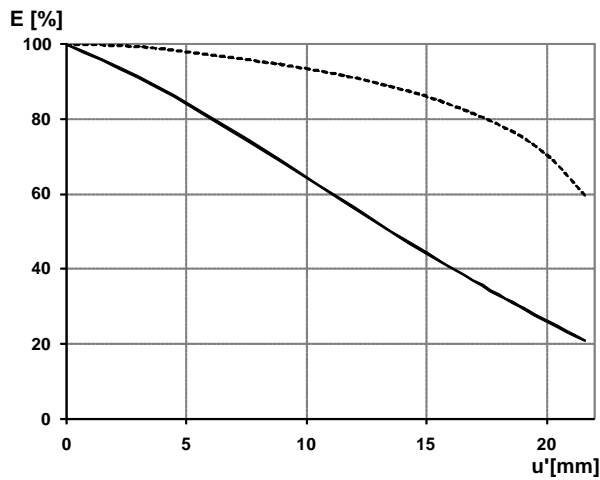
Focal length	28 mm
Aperture range	f/2 – f/22 (1/2 stop intervals)
Number of elements / groups	10 / 8
Min. working distance (object to sensor)	240 mm (0.8 ft.) – ∞
Min. free working distance	120 mm (0.4 ft.) – ∞
Angular field* (diag. / horiz. / vert.)	74 / 65 / 45°
Max. diameter of image field	43 mm (1.7")
Flange focal length	F-Mount: 46.5 mm (1.8"); M42-Mount: 45,5 mm
Coverage at close range	113 x 169 mm (4.5 x 6.7"), line 202 mm (7.9")
Image ratio at close range	1:4.7
Filter-thread	M 58 x 0.75
Weight	500 g (1 lbs.)
Camera mount	F bayonet, M42, EF

* referring to 35 mm format



Distagon T* 2/28

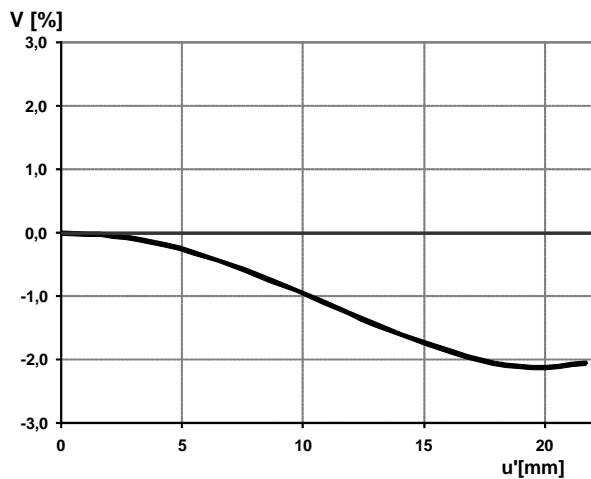
Relative Illuminance



The relative illuminance shows the decrease in image brightness from the image center to the edge in percent.

— f-number 2
... f-number 4

Relative Distortion



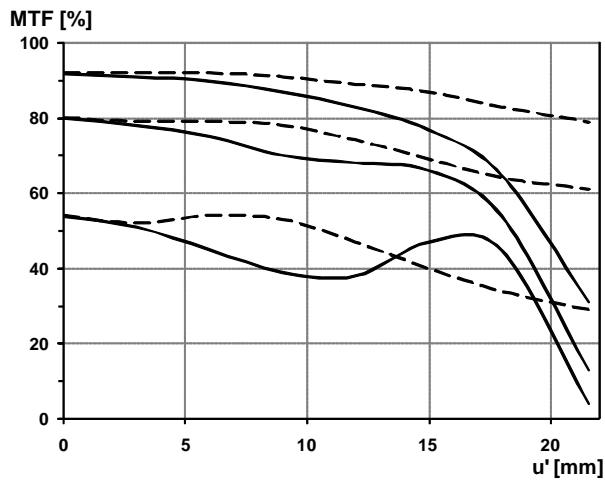
The relative distortion shows the deviation of the actual image height from the ideal one in percent.

**Data for infinite focus setting*



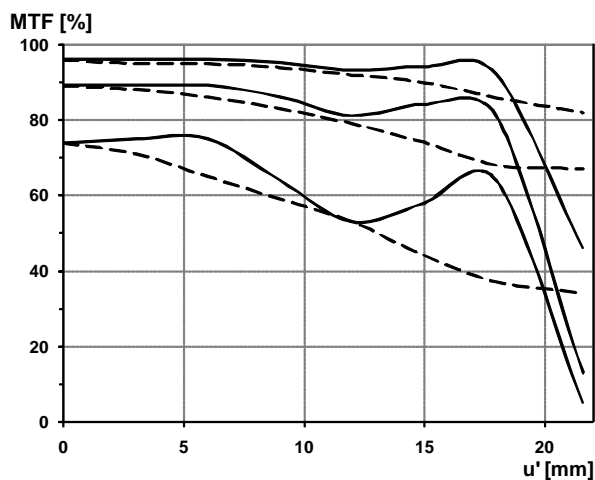
Distagon T* 2/28

MTF Charts



The Modulation Transfer (MTF) as a function of image height (u) and slit orientation (sagittal, tangential) has been measured with white light at spatial frequencies of $R = 10, 20$ and 40 cycles/mm.

f-number 2
— Saggital
... Tangential

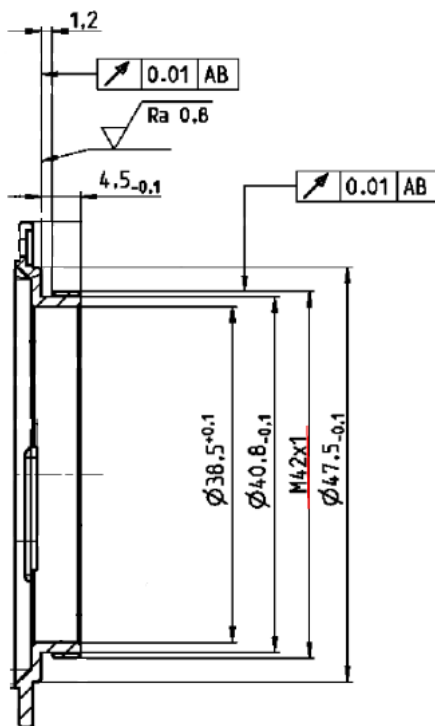


f-number 4
— Saggital
... Tangential

**Data for infinite focus setting*



Distagon T* 2/28



M42 Mount for 45,5 mm Flange Focal Distance

The diameter of the camera/lens adapter must not exceed 55 mm at the lens side!

Authorized Distributor:



Your single source for Imaging Solutions

Ph. 510.657.4000

info@uniforcesales.com

www.uniforcesales.com