

5 Mega Pixel Ruggedized Lens

Apo-Xenoplan 1.4/23 - Ruggedized

The 5 megapixel high-performance lenses of the C-Mount compact series are extremely robust and insensitive to rough ambient conditions, with the result that the lenses retain their high optical imaging performance in industrial environments. The secure locking of the iris and focus settings and the broadband coating of 400 – 1000 nm is standard for all lenses.



Apo-Xenoplan 1.4/23

Key Features

- Highest optical imaging performance even with smallest pixel sizes from 2.5 µm
- Stabilized mechanism
- Excellent MTF across the entire sensor size
- Broadband coating (400 - 1000 nm)
- Compact and low weight
- Vibration insensitivity for stable imaging performance, secured ring
- Focus and iris setting lockable

Applications

- 3D measurement
- Machine Vision and other imaging applications
- Traffic
- Medical

Technical Specifications

F-number	1.4
Focal length	22.9 mm
Image circle	11 mm
Transmission	400 - 1000 nm
Interface	C-Mount
Weight	115 gr.
Option	Optical filter

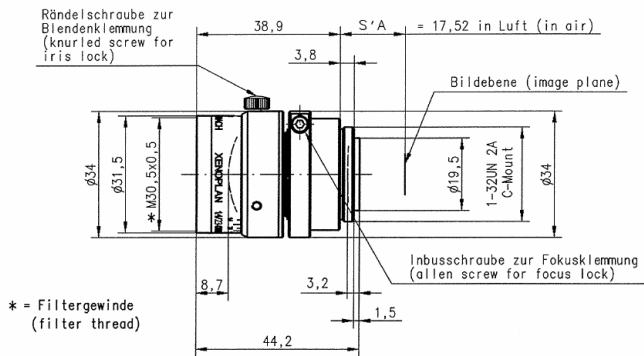
Contact

Jos. Schneider Optische Werke GmbH
 Ringstraße 132
 55543 Bad Kreuznach
 Germany
 Phone +49 671 601-387
 Fax +49 671 601-286
www.schneiderkreuznach.com/industrialoptics
industrie@schneiderkreuznach.com

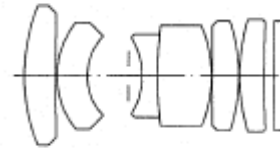
Schneider Asia Pacific Ltd.
 20/F Central Tower, 28 Queen's Road
 Central, Hong Kong
 China
 Phone +852 8302 0301
 Fax +852 8302 4722
www.schneider-asiapacific.com
info@schneider-asiapacific.com

Schneider Optics Inc.
 285 Oser Ave.
 Hauppauge, NY 11788
 USA
 Phone +1 631 761-5000
 Fax +1 631 761-5090
www.schneideroptics.com/industrial
industrial@schneideroptics.com

Apo-Xenoplan 1.4/23 Ruggedized Lens



* = Filtergewinde (filter thread)



APO-XENOPLAN 1.4/23

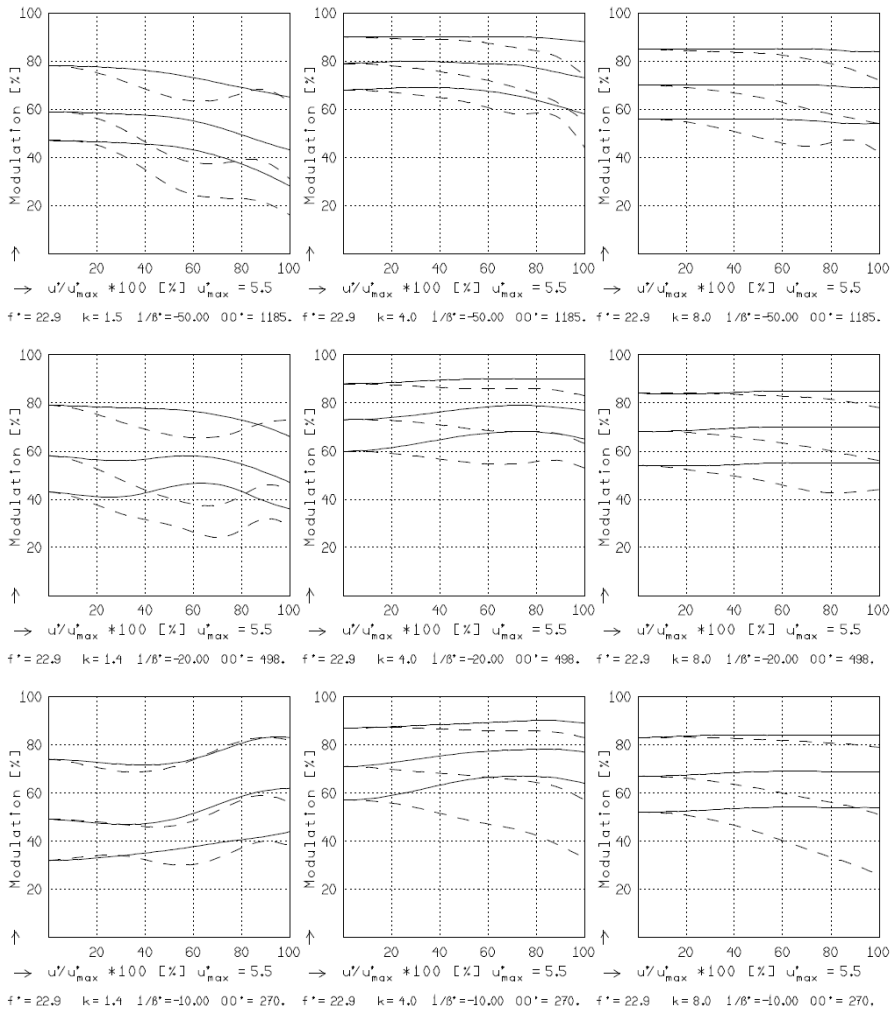
$f^* = 22,9 \text{ mm}$ $\beta_p = 2,409$
 $s_f = 9,5 \text{ mm}$ $s_{EP} = 19,1 \text{ mm}$
 $s_{f^*} = 15,5 \text{ mm}$ $s_{AP} = -39,7 \text{ mm}$
 $HH^* = -7,7 \text{ mm}$ $\Sigma d = 32,3 \text{ mm}$

APO-XENOPLAN 1.4/23

MODULATION als Funktion der relativen Bildgröße

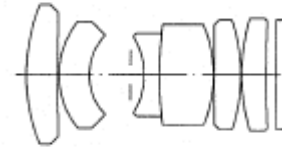
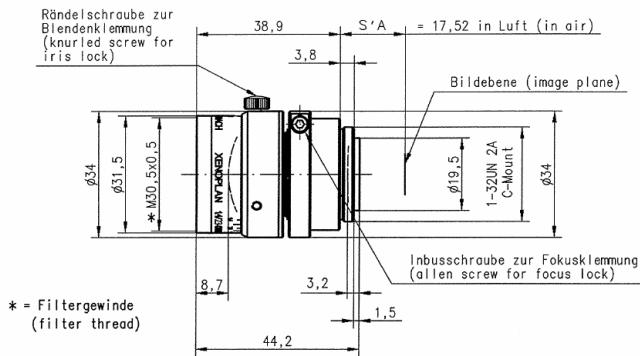
Wellenlänge λ [nm] :	555	655	605	505	455	405
Spektrale Gewichtung [%] :	19.6	23.7	22.2	15.7	12.1	6.7
Ortsfrequenz R [1/mm] :	25	50	75			
Format [mm X mm] :	6.6	8.8				
Diagonale $2u'$ [mm] :	11.0					

radial —
tangential - -



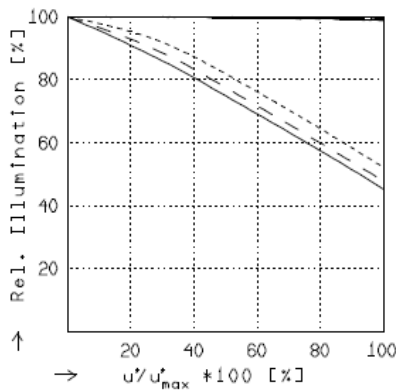
Fokussierung MTF_{max} bei k = 1,4 . R = 75 1/mm. $u/u'_{max} = 0$

Apo-Xenoplan 1.4/23 Ruggedized Lens



APO-XENOPLAN 1.4/23

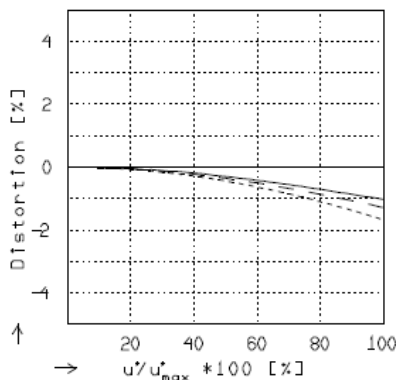
f^* = 22,9 mm	β_p^* = 2.409
s_f = 9,5 mm	s_{EP} = 19,1 mm
s_{f^*} = 15,5 mm	s_{AP}^* = -39,7 mm
HH^* = -7,7 mm	Σd = 32,3 mm



RELATIVE ILLUMINATION

The relative illumination is shown for the given focal distances or magnifications.

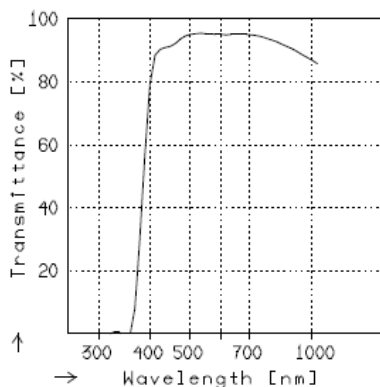
	$f / 1.5$	$f / 4.0$	$f / 8.0$
— $\beta^* = -0.0200$	$u_{max}^* = 5.4$	$00^* = 1184.$	
- - $\beta^* = -0.0500$	$u_{max}^* = 5.4$	$00^* = 498.$	
... $\beta^* = -0.1000$	$u_{max}^* = 5.4$	$00^* = 270.$	



DISTORTION

Distortion is shown for the given focal distances or magnifications. Positive values indicate pincushion distortion and negative values barrel distortion.

— $\beta^* = -0.0200$	$u_{max}^* = 5.4$	$00^* = 1184.$
- - $\beta^* = -0.0500$	$u_{max}^* = 5.4$	$00^* = 498.$
... $\beta^* = -0.1000$	$u_{max}^* = 5.4$	$00^* = 270.$



TRANSMITTANCE

Relative spectral transmittance is shown with reference to wavelength.