

# Ruggedized Lens

## Cinegon 2.1/6 – Ruggedized

In accordance with the sensitivity of modern 2 / 3" CCD and CMOS sensors, the 3 megapixel lenses are corrected and broadband-coated for the spectral range of 400 – 1000 nm ( VIS + NIR ). Even under production and / or extreme conditions, the robust mechanical design with lockable focus and iris setting mechanism guarantees reliable continuous use in which the set optical parameters remain in place.



Cinegon 2.1/6

### Key Features

- High-resolution optics
- Stabilized mechanism
- Highest optical imaging performance even with smallest pixel sizes
- Broadband coating (400 - 1000 nm)
- Compact and low weight
- Vibration insensitivity for stable imaging performance, secured ring
- Focus and iris setting lockable

### Applications

- 3D measurement
- Machine Vision and other imaging applications
- Traffic
- Medical
- Robot vision
- Food processing

### Technical Specifications

F-number	2.1
Focal length	6.2 mm
Image circle	11 mm
Transmission	400 - 1000 nm
Interface	C-Mount
Weight	110 gr.
Option	Optical filter

### Contact

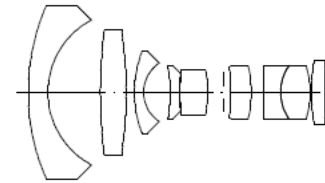
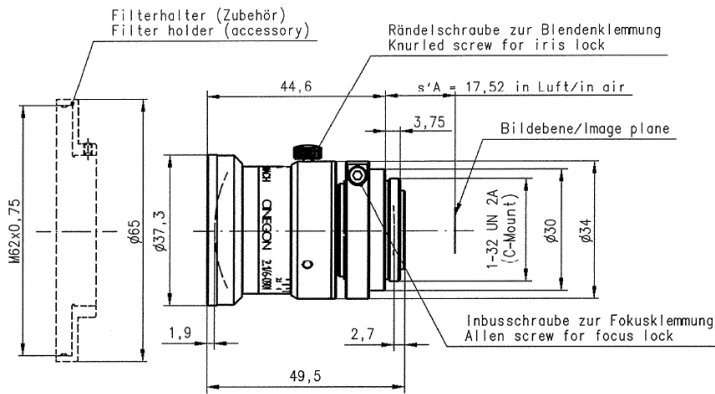
Jos. Schneider Optische Werke GmbH  
 Ringstraße 132  
 55543 Bad Kreuznach  
 Germany  
 Phone +49 671 601-387  
 Fax +49 671 601-286  
[www.schneiderkreuznach.com/industrialoptics](http://www.schneiderkreuznach.com/industrialoptics)  
[industrie@schneiderkreuznach.com](mailto:industrie@schneiderkreuznach.com)

Schneider Asia Pacific Ltd.  
 20/F Central Tower, 28 Queen's Road  
 Central, Hong Kong  
 China  
 Phone +852 8302 0301  
 Fax +852 8302 4722  
[www.schneider-asiapacific.com](http://www.schneider-asiapacific.com)  
[info@schneider-asiapacific.com](mailto:info@schneider-asiapacific.com)

Schneider Optics Inc.  
 285 Oser Ave.  
 Hauppauge, NY 11788  
 USA  
 Phone +1 631 761-5000  
 Fax +1 631 761-5090  
[www.schneideroptics.com/industrial](http://www.schneideroptics.com/industrial)  
[industrial@schneideroptics.com](mailto:industrial@schneideroptics.com)

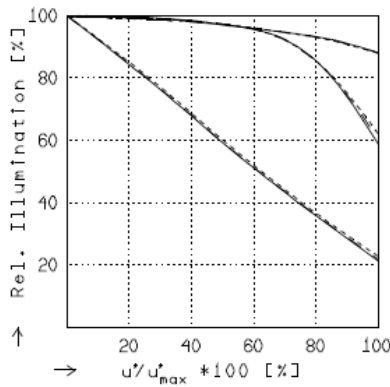


# Cinegon 2.1/6 Ruggedized Lens



## CINEGON 2.1/6.0

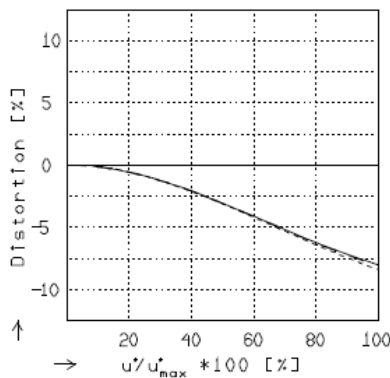
$f'$	=	6.2 mm	$\beta_p$	=	6.580
$s_F$	=	13.2 mm	$s_{EP}$	=	14.1 mm
$s_{F'}$	=	15.3 mm	$s_{AP}$	=	-25.4 mm
HH'	=	35.0 mm	$\Sigma d$	=	45.3 mm



## RELATIVE ILLUMINATION

The relative illumination is shown for the given focal distances or magnifications.

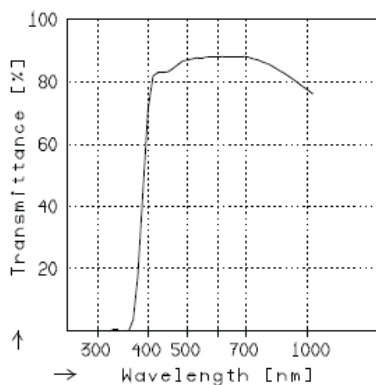
	$f / 2.1$	$f / 4.0$	$f / 8.0$
— $\beta' = -0.0100$	$u'_{max} = 5.5$	$00' = 666.$	
- - $\beta' = -0.0200$	$u'_{max} = 5.5$	$00' = 357.$	
--- $\beta' = -0.0500$	$u'_{max} = 5.5$	$00' = 171.$	



## DISTORTION

Distortion is shown for the given focal distances or magnifications. Positive values indicate pincushion distortion and negative values barrel distortion.

— $\beta' = -0.0100$	$u'_{max} = 5.5$	$00' = 666.$
- - $\beta' = -0.0200$	$u'_{max} = 5.5$	$00' = 357.$
--- $\beta' = -0.0500$	$u'_{max} = 5.5$	$00' = 171.$



## TRANSMITTANCE

Relative spectral transmittance is shown with reference to wavelength.